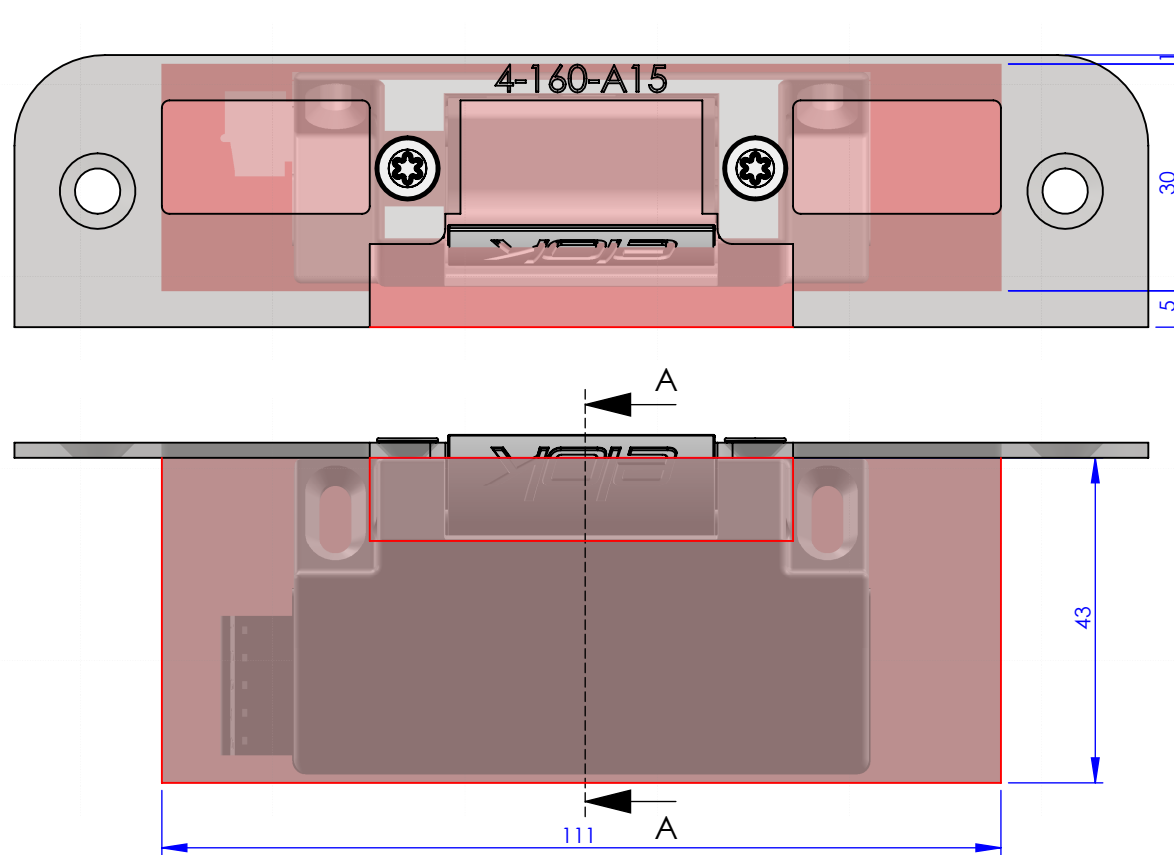
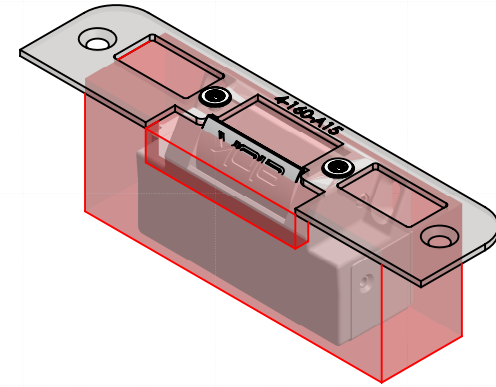
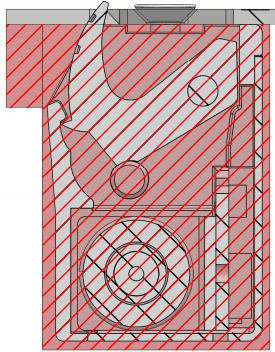


SECTION A-A



**elok** 4-160-A15 x 471-474

Milling name: Faceplate

Comment: Electric strike ELOK 471-474

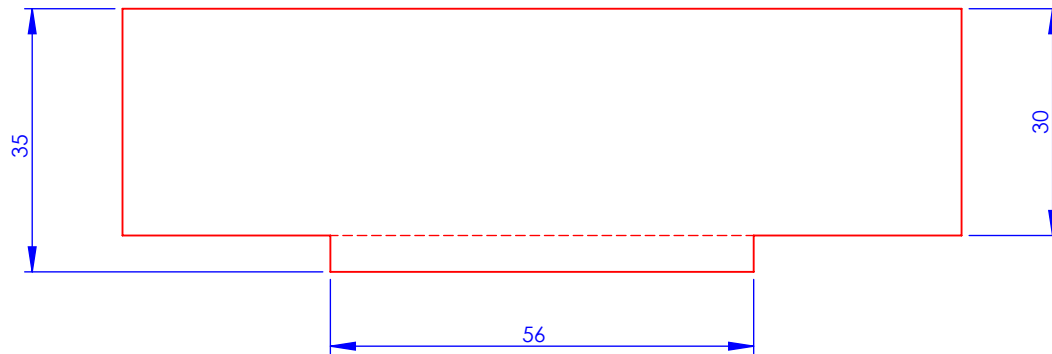
Date: 28/01/2020

Scale: 1:1

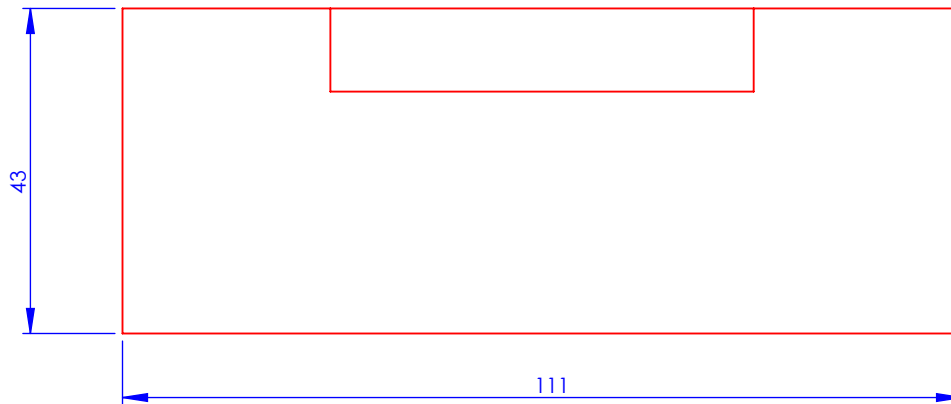
Drawn by: MOF

Sheet: 1 (2)

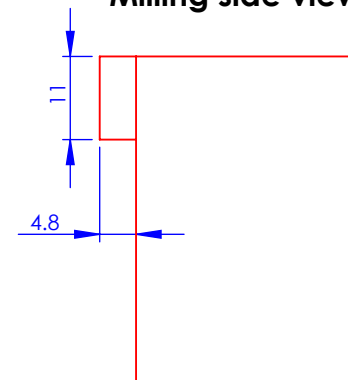
Milling top view



Milling front view



Milling side view



*elok* 4-160-A15 x 471-474