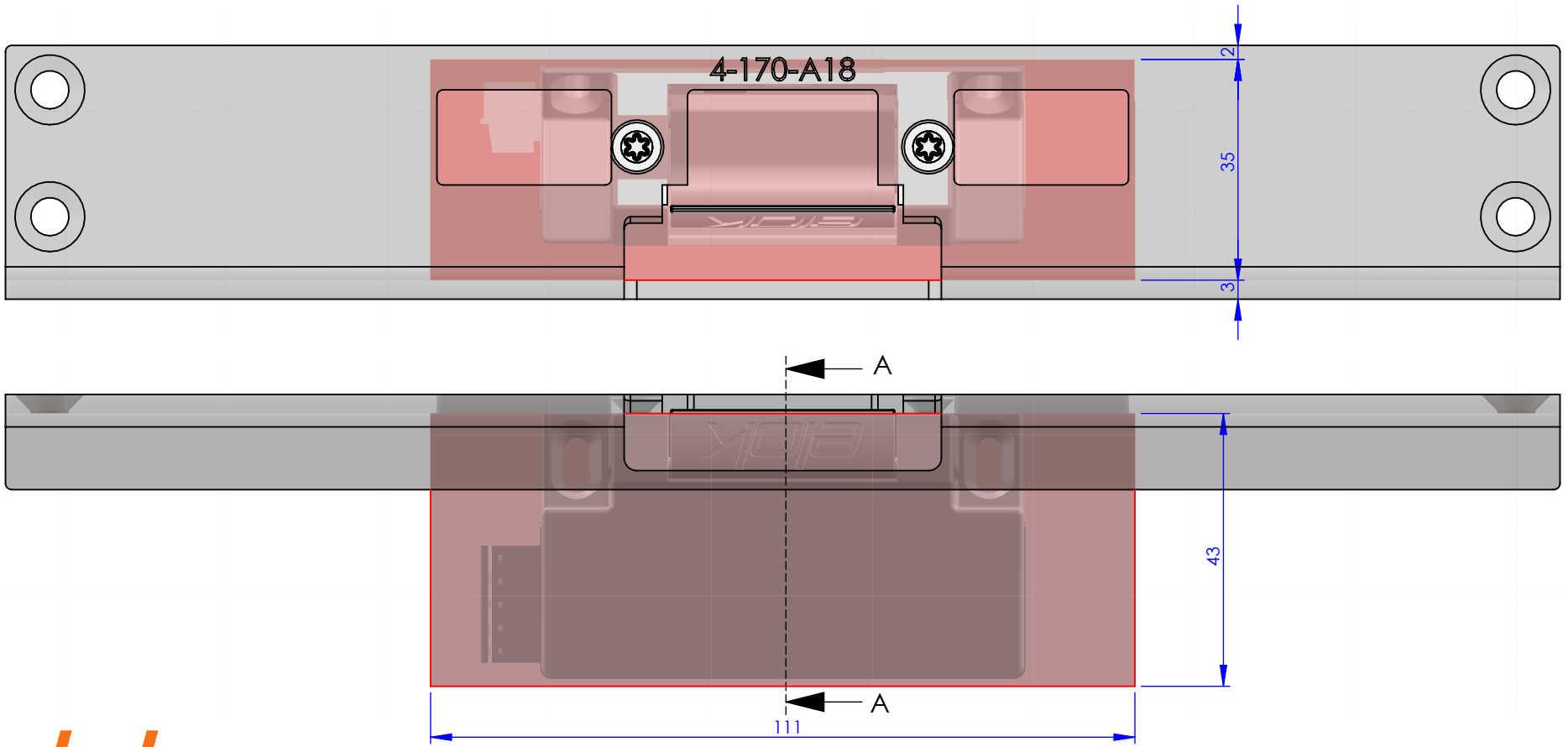
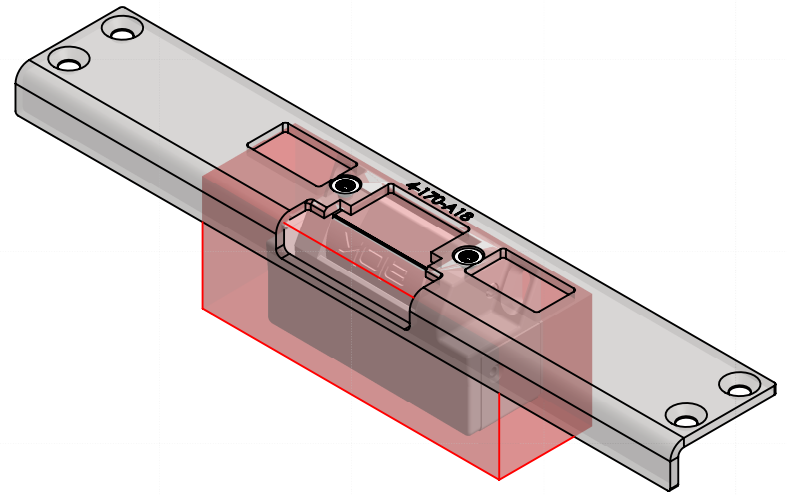
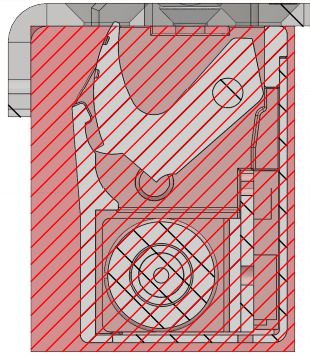


SECTION A-A



**elok** 4-170-A18 x 471-474

Milling name: Faceplate

Comment: Electric strike ELOK 471-474

Date: 25/02/2020

Scale: 1:1

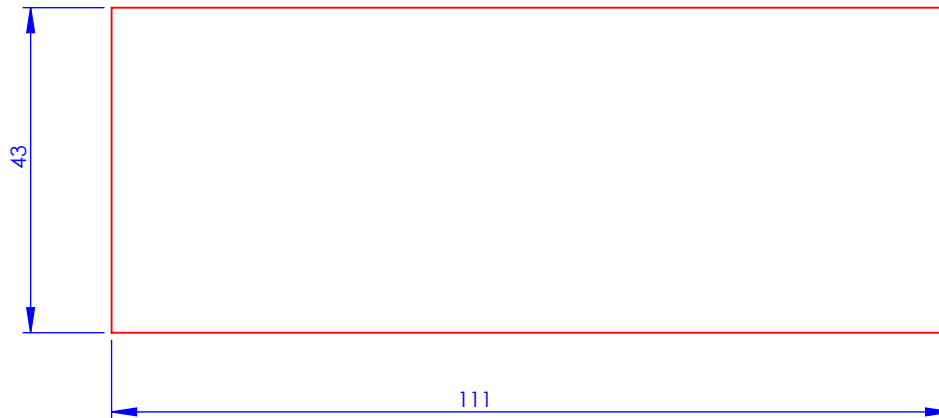
Drawn by: MOF

Sheet: 1 (2)

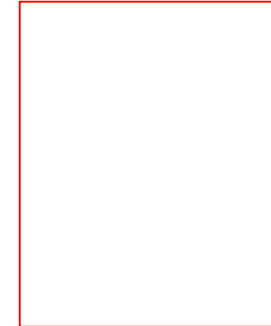
**Milling top view**



**Milling front view**



**Milling side view**



*elok* **4-170-A18 x 471-474**