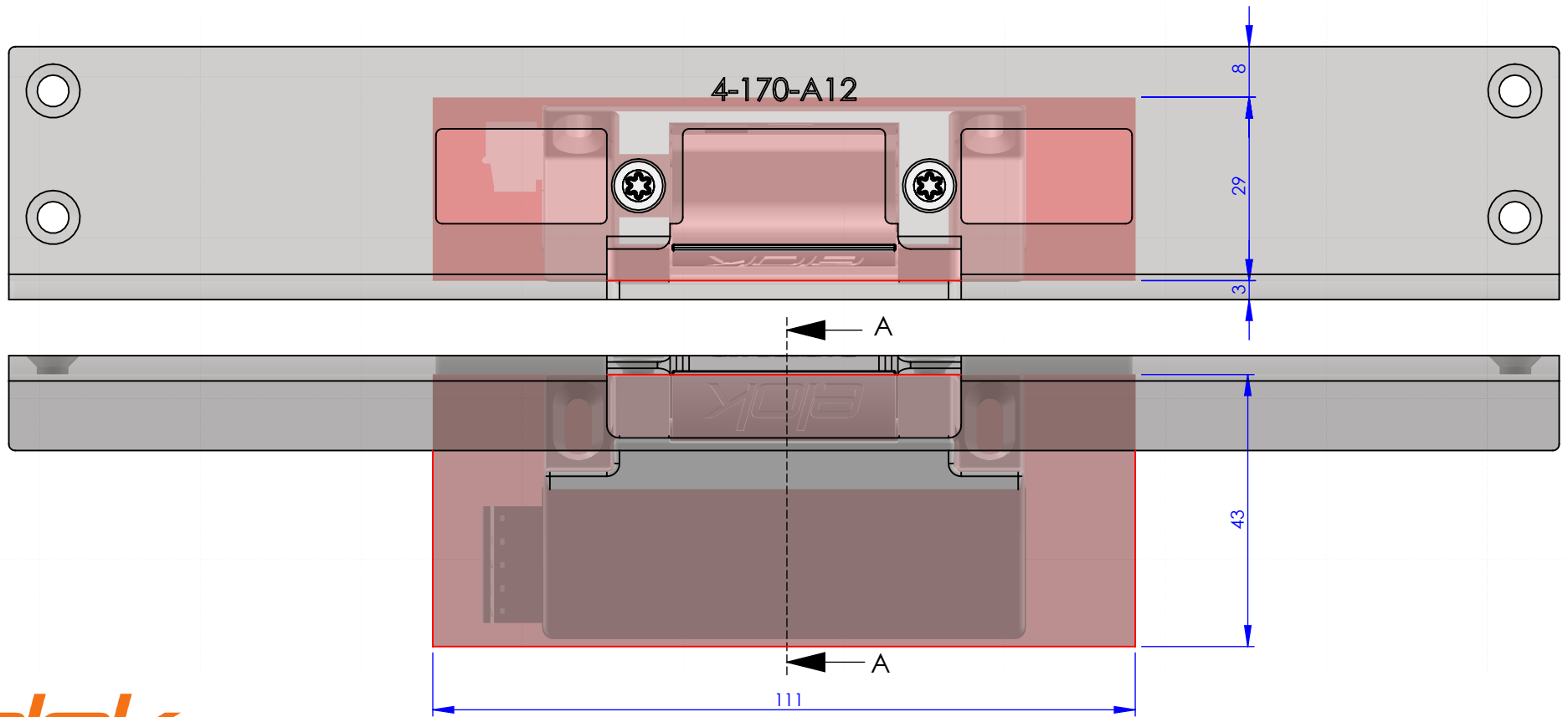
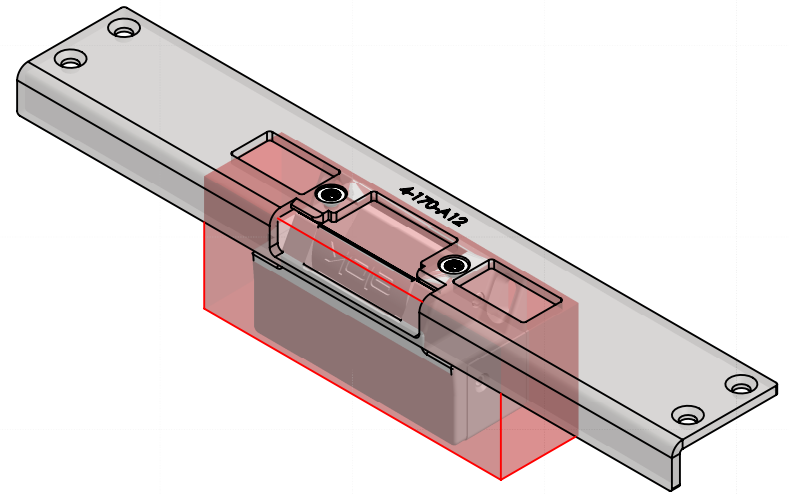
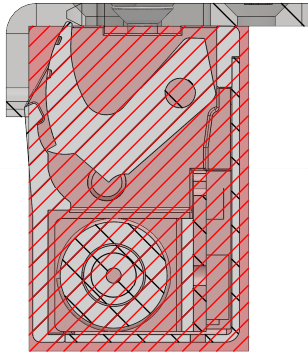


SECTION A-A



elok 4-170-A12 x 471-474

Milling name: Faceplate

Comment: Electric strike ELOK 471-474

Date: 13/02/2020

Scale: 1:1

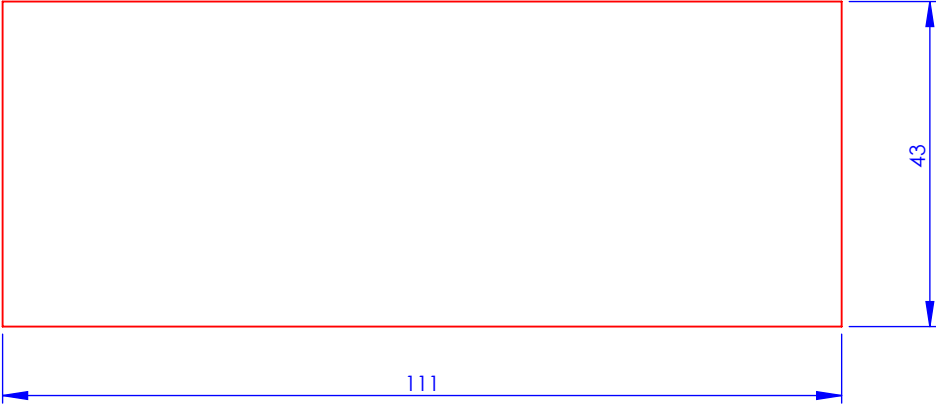
Drawn by: MOF

Sheet: 1 (2)

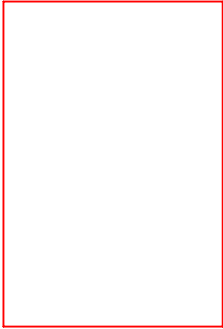
Milling top view



Milling front view



Milling side view



elok **4-170-A12 x 471-474**