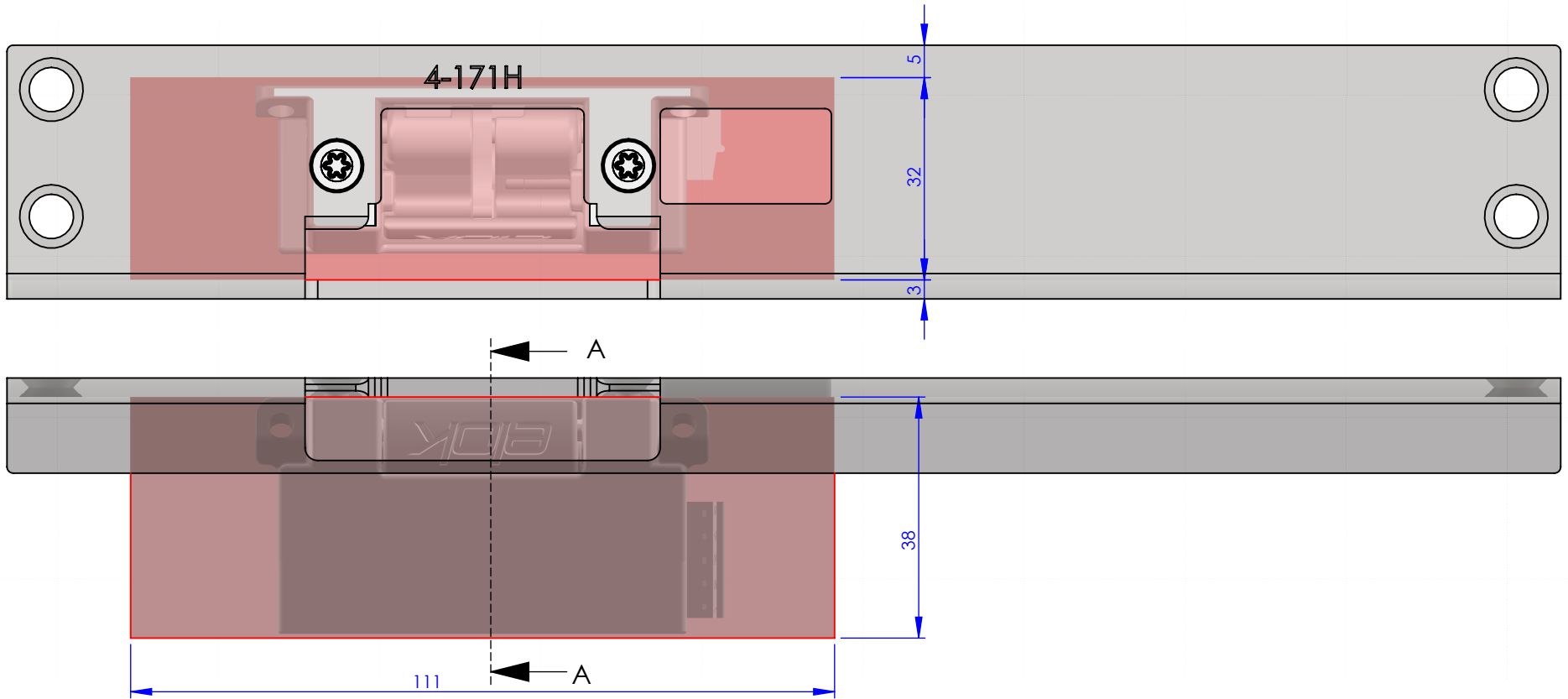
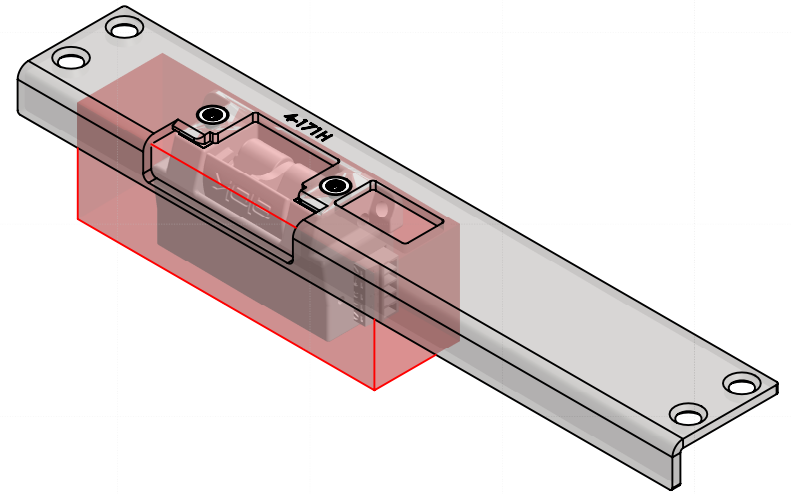
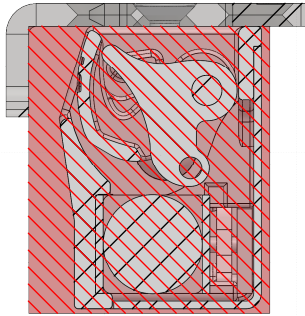


SECTION A-A



elok 4-171H x WALK

Milling name: Faceplate

Comment: Electric strike ELOK WALK

Date: 13/02/2020

Scale: 1:1

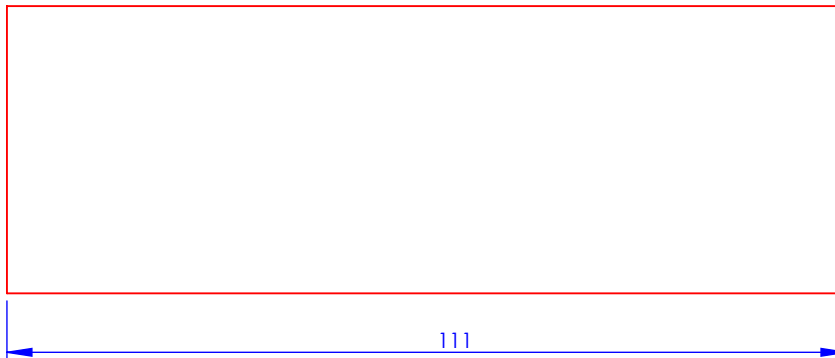
Drawn by: MOF

Sheet: 1 (2)

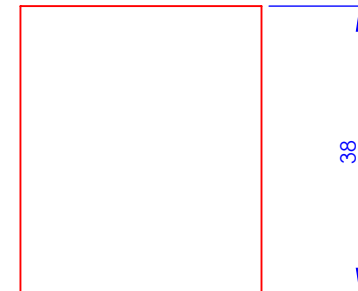
Milling top view



Milling front view



Milling side view



elok **4-171H x WALK**