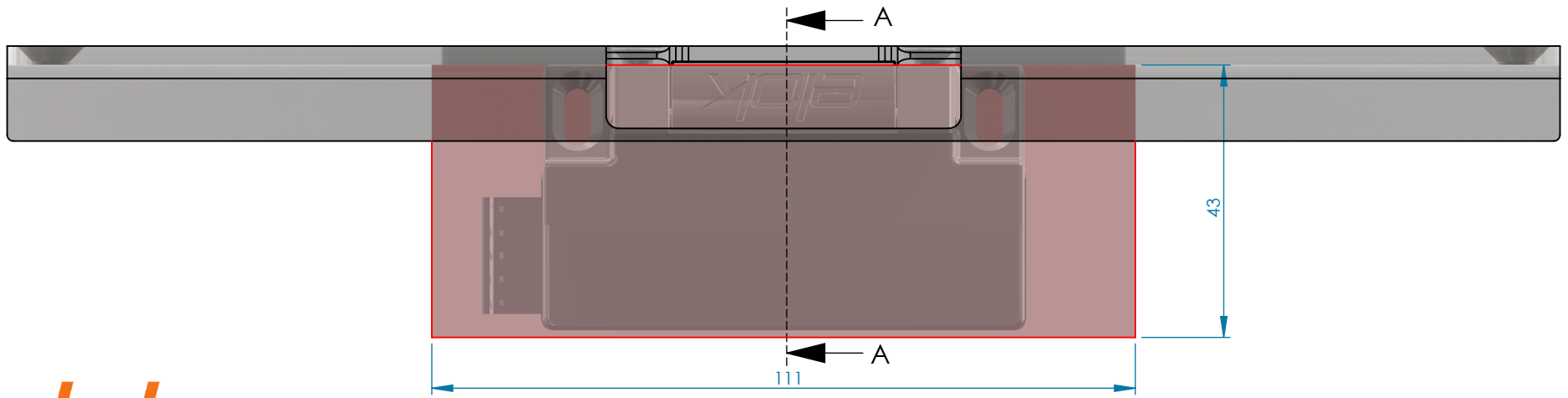
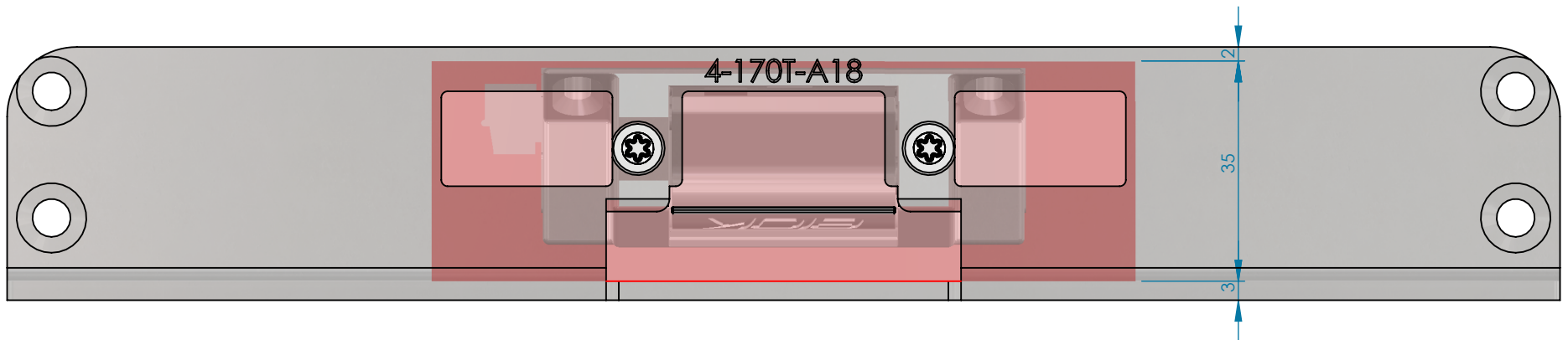
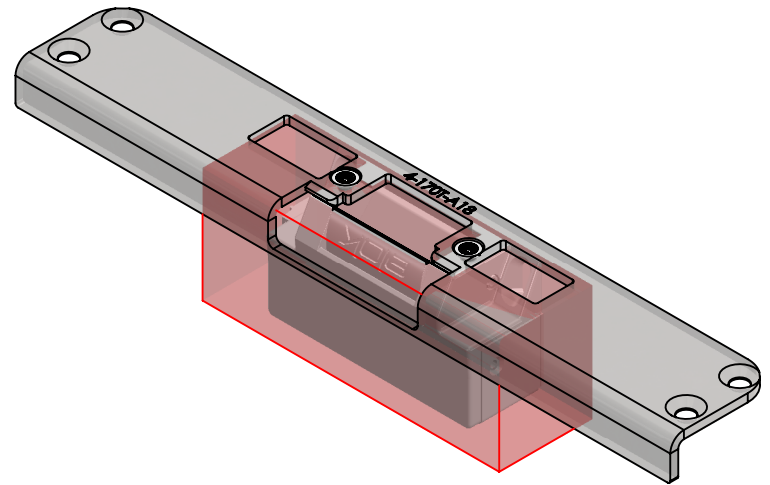
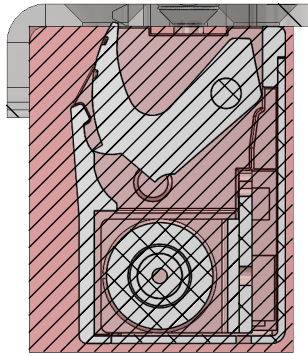


SECTION A-A



elok 4-170T-A18 x 471-474

Milling name: Faceplate

Comment: Electric strike ELOK 471-474

Date: 21.08.2020

Scale: 1:1

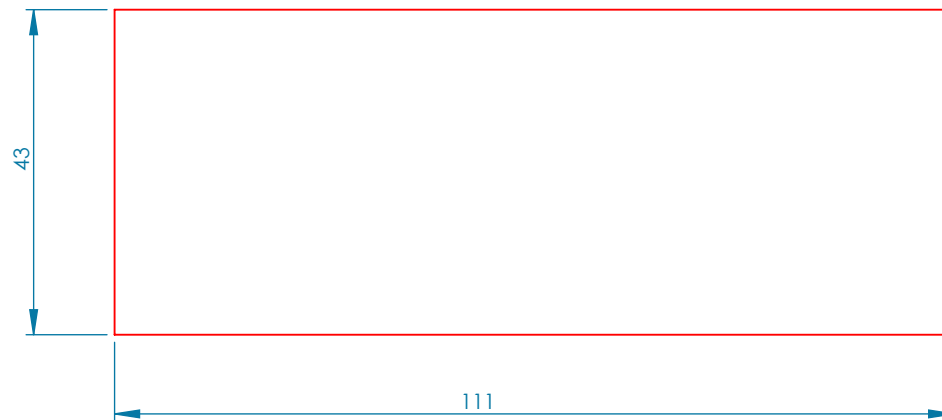
Drawn by: MOF

Sheet: 1 (2)

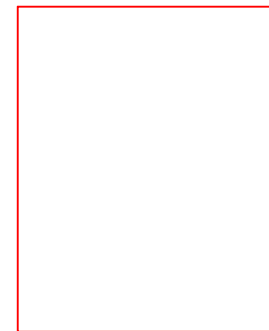
Milling top view



Milling front view



Milling side view



elok **4-170T-A18 x 471-474**

Milling name: Faceplate

Comment: Electric strike ELOK 471-474

Date: 21.08.2020

Scale: 1:1

Drawn by: MOF

Sheet: 2(2)