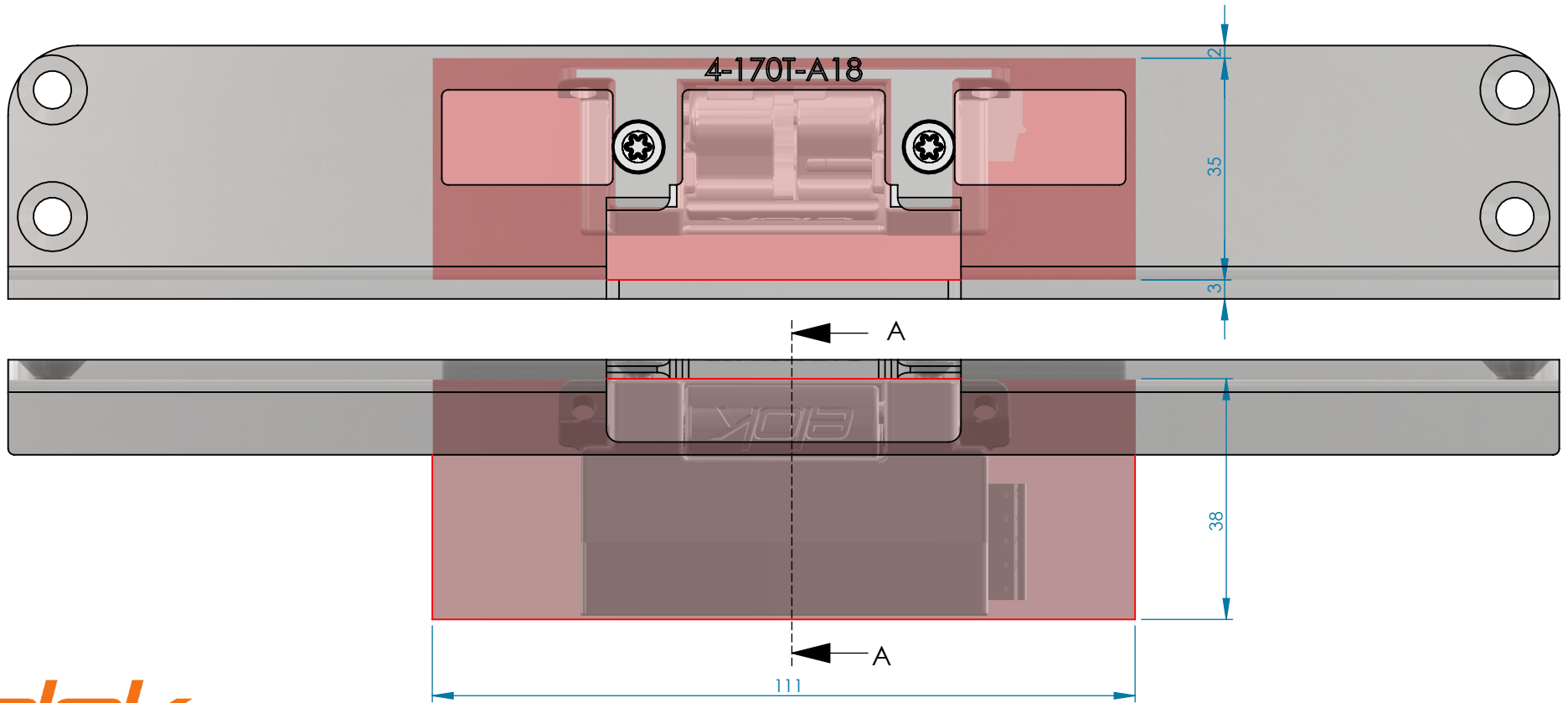
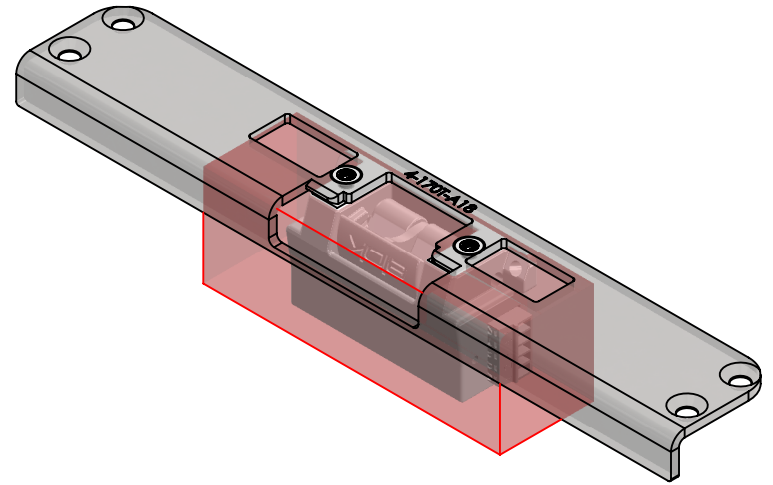
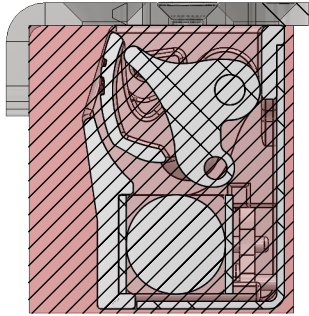


SECTION A-A



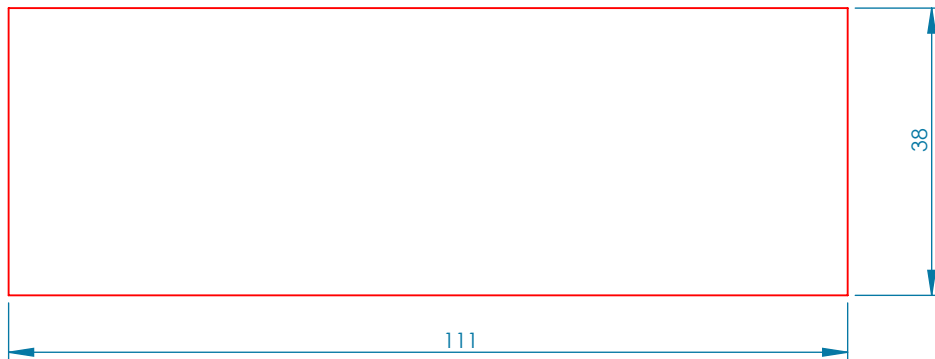
elok 4-170T-A18 x WALK

Milling name: Faceplate	Comment: Electric strike ELOK WALK	Date: 21.08.2020	Scale: 1:1	Drawn by: MOF	Sheet: 1 (2)
-------------------------	------------------------------------	------------------	------------	---------------	--------------

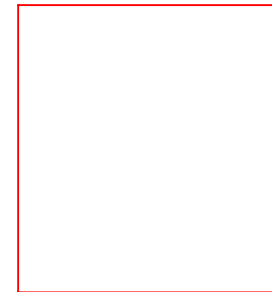
Milling top view



Milling front view



Milling side view



elok **4-170T-A18 x WALK**

Milling name: Faceplate

Comment: Electric strike ELOK WALK

Date: 21.08.2020

Scale: 1:1

Drawn by: MOF

Sheet: 2(2)